

《道路交通(車輛構造及保養)規例》
(第 374 章，附屬法例)

1998 年 6 月 1 日前註冊車輛的車輪防護裝置(擋泥板及擋泥翼)規格公告

本人現根據《道路交通(車輛構造及保養)規例》(第 374 章，附屬法例)第 35(4)及 84(3)條，公布 1998 年 6 月 1 日前註冊車輛的擋泥板及擋泥翼規格如下：

1. 一般規定

運輸署署長明確規定：

- 1.1 此等規格適用於 1998 年 6 月 1 日前登記的所有車輛。
- 1.2 所有車輛必須設有車輪防護裝置。
- 1.3 車輪防護裝置可以是車身外殼的一部分、擋泥板、擋泥翼或其他附件。
- 1.4 車輪防護裝置的設計，須保護道路使用者，免其受到翻起的石塊、泥濘、冰塊、積雪及濺起的水花的影響，並須減低他們因碰到轉動中的車輪而產生的危險。
- 1.5 如運輸署署長認為某類車輛基於其構造或用途毋需或不適合裝設車輪防護裝置，則以上規定將不適用於該等車輛。

2. 特別規定

運輸署署長明確規定：

- 2.1 第 2.2 至 2.7 段所指的車輪防護裝置規定必須在下列的情況下量度：(a) 車輛沒有負載，但已裝上車身外殼並且適宜在道路上運作(車輛已載有基本裝備如冷卻液、潤滑油及燃油)；(b) 拖車須附著拖頭；(c) 如車輛裝有可隨時裝卸的車身系統，則不可附有該等車身系統；及 (d) 車輪須處於正前方位置。
- 2.2 所有車輛的擋泥板須在徑向平面的範圍內裝上，該等徑向平面由穿過輪胎中心點的垂直中線起，向前伸延 30 度角及向後伸延 50 度角，其闊度必須能覆蓋輪胎闊度；擋泥板並須繼續向後延展至輪胎的橫向中線之上，但與橫向中線的距離不得超過 100 毫米。
- 2.3 電單車及機動三輪車裝設的擋泥板必須符合 Australian Design Rule (ADR) 或署長所許可的標準。
- 2.4 所有巴士、小型巴士、貨車、拖車和特別用途車輛最後面的輪胎，均須裝上擋泥翼，並與擋泥板一起使用，其闊度須最少與整條輪胎胎面闊度相同。擋泥翼底邊距離地面的高度不得超過 230 毫米。假如在擋泥翼底邊沿線對上 50 毫米高之處，以每 100 毫米闊範圍內橫向施加 1.5 牛頓單位壓力的力度加壓，擋泥翼不得向後撓曲超過 100 毫米。
- 2.5 輪胎中心點與擋泥板的下沿相距不得超過輪胎的半徑的兩倍。
- 2.6 車輪防護裝置可由多個部件組成，但個別部分之間或內部不得在車輛運作時出現間隙。車輪防護裝置必須穩固地附於車輛上。
- 2.7 假如車輛有多條車軸，而在兩條平行車軸上的輪胎又相距超過 300 毫米，則各輪胎須分別裝設防護裝置。假如輪胎的距離相等或少於 300 毫米，則在裝設防護裝置時，該組輪胎可視為同一車軸上的輪胎來處理。

註：這份規格夾附兩幅圖解以供參考。

ROAD TRAFFIC (CONSTRUCTION AND MAINTENANCE OF VEHICLES)
REGULATIONS (Chapter 374 Sub. Leg.)

SPECIFICATIONS OF WHEEL GUARDS (MUDGUARDS AND MUDFLAPS)
NOTICE (FOR VEHICLE REGISTERED BEFORE 1 JUNE 1998)

Pursuant to regulations 35(4) and 84(3) of the Road Traffic (Construction and Maintenance of Vehicles) Regulations, Chapter 374 Sub. Leg., I hereby give notice for the Specifications of mudguards and mudflaps for vehicles registered before 1 June 1998 as follows:—

1. *General Requirements*

The Commissioner for Transport has specified that:—

- 1.1 these Specifications shall apply to all vehicles registered before 1 June 1998.
- 1.2 all vehicles shall be provided with wheel guards.
- 1.3 wheel guards may be part of the vehicle bodywork, mudguards, mudflaps and any attachment.
- 1.4 the wheel guards shall be so designed as to protect road users against thrown-up stones, mud, ice, snow and water and to reduce the dangers of those users coming into contact with the rotating wheels.
- 1.5 the requirement of this part does not apply to any vehicle the construction or use of which is, in the Commissioner's opinion, unnecessary or impracticable to provide a wheel guard.

2. *Special Requirements*

The Commissioner for Transport has specified that:—

- 2.1 the requirements for wheel guards as set out in 2.2 to 2.7 shall be measured under the following conditions:— (a) a vehicle shall be in a no load condition, equipped with bodywork and in running order (vehicle equipped with basic equipment such as coolant, oils and fuel); (b) a trailer shall be attached to a tractor unit; (c) a vehicle fitted with demountable body systems shall have the body detached; and (d) all wheels shall be set in the straight ahead position.
- 2.2 all vehicles shall be fitted with mudguards in the part formed by radial planes to cover the width of the tyre at an angle of 30 degrees to the front and 50 degrees to the rear of the vertical centre line of the wheel; the rear of the mudguards shall be extended further to a point at the rear not more than 100 mm above the horizontal centre line of the tyre.
- 2.3 motorcycles and motor tricycles shall be fitted with mudguards that comply with the Australian Design Rule (ADR) or other standards approved by the Commissioner.
- 2.4 all buses, light buses, goods vehicles, trailers and special purpose vehicles shall be fitted with mudflap at the rearmost tyre(s) in conjunction with the mudguard. The mudflap shall be at least the width of the tyre tread pattern. The maximum height of the bottom edge of the mudflap from the ground shall not exceed a height of 230 mm. Mudflaps shall not be capable of being deflected rearward by more than 100 mm when subjected to a force of 1.5 N per 100 mm of the mudflap width, applied across the width of the mudflap at a height of 50 mm above the bottom of the mudflap.
- 2.5 the distance between the centre of the tyre and the lower edge of the mudguard shall not be more than 2 times of radius of the wheel.
- 2.6 the wheel guards may consist of several components, provided no gaps exist between or within the individual part when vehicle is in running order. The wheel guards shall be firmly attached to the vehicle.
- 2.7 in case of multiple axles vehicles, if distance between the tyres on two parallel axles is greater than 300 mm, the tyres shall be fitted with separate mudguards. If the distance is equal to or less than 300 mm, the tyres may be fitted with one single mudguard.

Note: Two Figures are enclosed with these Specifications for reference.

Specifications of Wheel Guards (Mudguards and Mudflaps)

for Vehicles Registered before 1st June 1998

1998年6月1日前註冊車輛的車輪防護裝置(擋泥板及擋泥翼)規格

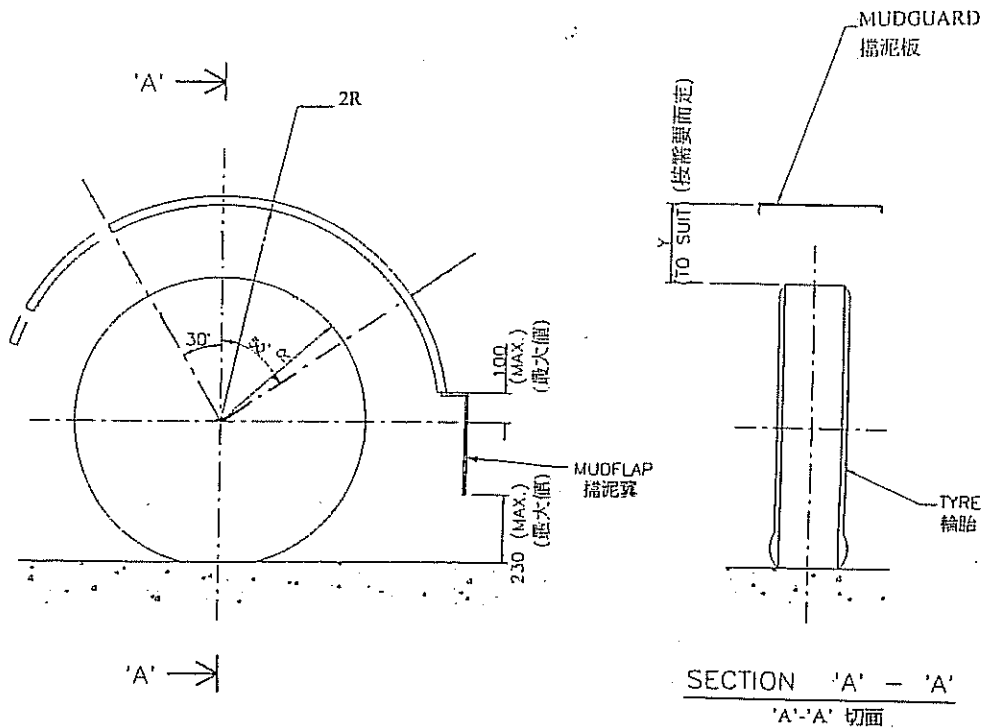


Fig. 1 MUDGUARD & MUDFLAP SPECIFICATION FOR SINGLE-AXLE
圖一：單軸的擋泥板及擋泥翼規格

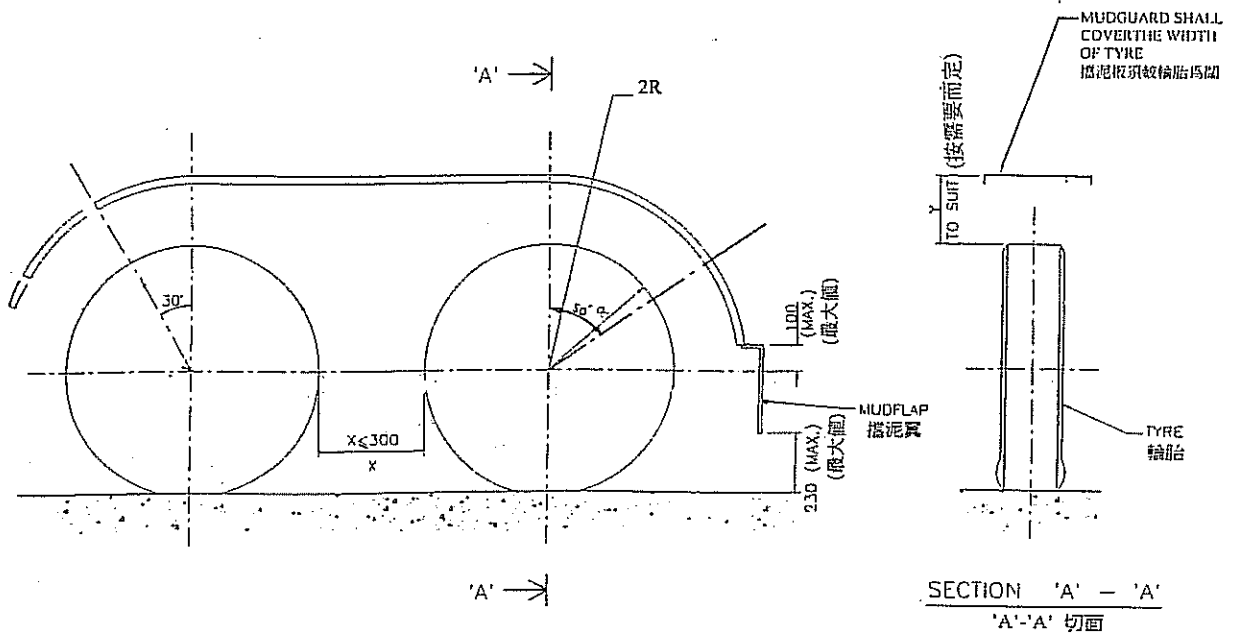


Fig. 2 MUDGUARD & MUDFLAP SPECIFICATION FOR MULTI-AXLE
圖二：多軸的擋泥板及擋泥翼規格

LEGEND:

X= DISTANCE BETWEEN TYRES; IF 'X' IS BIGGER THAN 300mm, SEPARATE MUDGUARD SHALL BE PROVIDED

Y= DISTANCE BETWEEN TYRE AND MUDGUARD

圖例：

X= 兩條輪胎之間的間隙；如'X'大於300毫米，則每條車軸上的輪胎均須設有獨立的擋泥板

Y= 輪胎與擋泥板之間的距離

NOTES:

1. ALL DIMENSIONS IN mm.
2. THIS DRAWING SHALL BE READ CONJUNCTION WITH WHEEL GUARDS SPECIFICATION

註：

1. 全部數值以毫米作單位。
2. 閱讀此圖則時，須同時參閱《車輪防護裝置規格》。

非按照比例繪製
Not to Scale

《道路交通(車輛構造及保養)規例》
(第 374 章，附屬法例)

1998 年 6 月 1 日前註冊車輛的車輪防護裝置(擋泥板及擋泥翼)規格公告

勘誤

關於 1999 年 5 月 28 日第 3 卷第 21 期香港特別行政區政府憲報刊載的第 2908 號政府公告，現更正在該公告內列出的規格開始實施的日期為 1999 年 7 月 1 日，而非該公告的刊登日期。

1999 年 6 月 17 日

運輸署署長霍文

G.N. 3367

TRANSPORT DEPARTMENT

ROAD TRAFFIC (CONSTRUCTION AND MAINTENANCE OF VEHICLES)
REGULATIONS (Chapter 374 sub. leg.)

SPECIFICATIONS OF WHEEL GUARDS (MUDGUARDS AND MUDFLAPS)
NOTICE (FOR VEHICLE REGISTERED BEFORE 1 JUNE 1998)

CORRIGENDUM

With reference to the Government Notice No. 2908 of 1999 in the Government of the Hong Kong Special Administrative Region Gazette Vol. 3 of No. 21 of 28 May 1999, it is hereby notified that 1 July 1999 shall be the day on which the Specifications set out in the Notice shall come into operation instead of the date on which the Notice is published.

17 June 1999

Robert FOOTMAN *Commissioner for Transport*

第 2342 號公告

道路交通(車輛構造及保養)規例(第 374 章)

車輪防護裝置(擋泥板及擋泥翼)規格公告

本人現行使《道路交通(車輛構造及保養)規例》(第 374 章附屬法例)第 35(4)及 84(3)條所賦予之權力，公布車輛的擋泥板及擋泥翼規格如下：

車輪防護裝置(擋泥板及擋泥翼)規格公告

《道路交通(車輛構造及保養)規例》第 35(4)及 84(3)條

[1.6.98]

1. 引稱

本公告可引稱為《車輪防護裝置(擋泥板及擋泥翼)規格》公告。

2. 釋義

在本公告中——

“車輪防護裝置”乃車身外殼的一部分、擋泥板及擋泥翼的統稱。

“輪胎靜止時的半徑”指輪胎在正常充氣及靜止的情況下，輪胎的中心點與地面接觸面的中心點之間的垂直距離。

“輪胎闊度”指輪胎和車輪組合一起轉動的部分的闊度。假如是雙輪胎車輪，兩條輪胎以及它們之間的間隙亦列入“輪胎闊度”的闊度計算圍範內。

3. 一般規定

運輸署署長明確規定——

3.1 此規格適用在 1998 年 6 月 1 日或該日以後登記的車輛。

3.2 所有車輛必須設有車輪防護裝置。

3.3 車輪防護裝置可以是車身外殼的一部分、擋泥板或是擋泥翼等。

3.4 車輪防護裝置的設計，須盡量保護道路使用者，免其受到濺起的石塊、泥濘、冰塊、積雪及水花的影響，並須減低道路使用者因碰到轉動中的車輪而產生的危險。

3.5 所有巴士、小型巴士、貨車、拖車和特別用途車輛均須符合此規格或詳細資料載於歐洲經濟共同體的議會指示“91/226/EEC”的規格。

3.6 其他車輛須符合此規格中的擋泥板規定或運輸署署長所許可的國家或國際標準(例如：ADR 和 EEC)。如欲申請使用國家或國際標準，申請人須提交該等標準給本署審閱，並須證明已符合該等標準的規定。

3.7 如運輸署署長認為某類車輛不須或不適合裝設車輪防護裝置，以上規定將不適用於該等車輛。

4. 特別規定

運輸署署長明確規定——

- 4.1 當車輛沒有載貨，但已裝上車身外殼及適宜在路上運作(包括基本裝備的重量如冷卻劑、潤滑油、燃油等)時，車輪防護裝置的安裝須符合下列規定：拖車須附著拖頭；至於裝有可隨時裝卸車身系統的車輛，其車身不可附在車輛上。在任何情況下，車輪須處於縱向位置。閱讀這些規定時，須同時參考夾附的“車輪防護裝置(擋泥板及擋泥翼)規格”圖則(圖則編號 SKP3179、SKP31792 和 SKP31793)。
- 4.2 受防撞槓保護的最前面車輪，其擋泥板須在徑向平面的範圍內，由穿過輪胎中心點的垂直中線起，向前伸延至與中線形成 30 度角的位置，並向後延展至輪胎的橫向中線之上，但與橫向中線的距離不得超過 100 毫米。至於同一車輛其餘車輪的擋泥板，則須在徑向平面的範圍內，由穿過輪胎中心點的垂直中線起，向前伸延至與中線形成 70 度(非轉向車輪)或 60 度(轉向車輪)角的位置，並向後延展至輪胎的橫向中線之上，但與橫向中線的距離不得超過 100 毫米。
- 4.3 擋泥板外圍凸出的部分(旁帷)須至少 30 毫米長(以穿過輪胎中心點的垂直縱切面計)。這深度可逐漸減少，當擋泥板向前伸延至與輪胎的垂直中線形成 70 度(非轉向車輪)或 60 度(轉向車輪)角的位置時，這深度可減至零。假如是多軸的設計，有關旁帷量度細則則顯示在夾附的圖則上(圖則編號 SKP31792 和 SKP31793)。如車輛總重相等或少於 3 500 kg，旁帷深度可逐漸減少，當擋泥板向前伸延至與輪胎的垂直中線形成 30 度或向後伸延至 50 度位置時，這深度可減至零。
- 4.4 假設“R”是一輛車輛總重超過 7 500 kg 的輪胎靜止時的半徑，若是非轉向的車輪，其輪胎中心點與擋泥板旁帷的下邊線相距不得超過“R”的 1.25 倍；至於轉向車輪，則不得超過“R”的 1.5 倍；假設“R”是一輛車輛總重超過 3 500 kg 但不超過 7 500 kg 的輪胎靜止時的半徑，其所有輪胎中心點與擋泥板旁帷的下邊線相距不得超過“R”的 1.5 倍；假設“R”是一輛車輛總重相等或少於 3 500 kg 的輪胎靜止時的半徑，其所有輪胎中心點與擋泥板旁帷的下邊線相距不得超過“R”的 2 倍。
- 4.5 擋泥板的闊度必須能覆蓋輪胎闊度，若是非轉向的車輪，擋泥板向外的一邊不得比輪胎闊逾 75 毫米，至於轉向車輪，則不得闊逾 100 毫米，詳細資料顯示在夾附的圖則上。
- 4.6 擋泥翼是置於最後車輪後面的附加裝置，可附於車輛底部或擋泥板，形成一個向路面伸延的部分。擋泥翼須安裝於最後面的輪胎，並與擋泥板一起使用，其闊度須最少與整條輪胎闊度胎面相同。
- 4.7 輪胎的最後點與擋泥翼的最內表面之間的間隙，不得超逾 300 毫米。
- 4.8 擋泥翼底邊距離地面的高度不得超過 230 毫米。
- 4.9 假如在擋泥翼底邊沿對上 50 毫米高之處，以每 100 毫米闊的範圍橫向施加 3 牛頓單位的壓力時(例如以橫杆繫於擋泥翼向後拉扯)，擋泥翼不得向後撓曲超過 100 毫米。
- 4.10 假如車輛的懸掛系統是可調較的，則車輛須在車輛製造商所指定的正常運作狀態下符合上述規定。
- 4.11 車輪防護裝置可由多個部件組成，但個別部分之間或內部不得在車輛運作時出現間隙。車輪防護裝置須穩固地附於車輛上。
- 4.12 假如車輛有多條車軸，而在兩條平行車軸上的輪胎又相距超過 300 毫米，則輪胎須分別裝設防護裝置。

Specifications of Wheel Guards (Mudguards and Mudflaps) Notice
(Road Traffic (Construction and Maintenance of Vehicles)
Regulations, regulations 35(4) and 84(3))

[1.6.1998]

1. Citation

This notice may be cited as the Specifications of Wheel Guards (Mudguards and Mudflaps) Notice.

2. Interpretation

In this notice—

“wheel guards” is to be taken as a collective term for vehicle bodywork, mudguards and mudflaps.

“static loaded tyre radius” means the distance from the centre of tyre contact (flat floor surface) to the wheel centre measured in the wheel plane of stationary tyre inflated to normal operating pressure.

“width of the tyre” means total width taking into account the extremes of tyre and wheel combination as rotated with the wheels. In the case of twin wheels, the total width over two tyres shall take into account.

3. General Requirements

The Commissioner for Transport has specified that—

3.1 these Specifications shall apply to vehicles registered on or after 1 June 1998.

3.2 all vehicles shall be provided with wheel guards.

3.3 wheel guards may be parts of the vehicle bodywork, mudguards, mudflaps, etc.

3.4 the wheel guards shall be so designed as to protect road users, as far as possible, against thrown-up stones, mud, ice, snow and water and to reduce the dangers of those users of coming into contact with the rotating wheels.

3.5 all buses, light buses, goods vehicles, trailers and special purpose vehicles shall comply with these Specifications or those specifications detailed in Council Directive “91/226/EEC” of the European Economic Community.

3.6 other vehicles shall comply with the requirements on mudguards of these specifications, or other national or international standards subject to Commissioner’s approval. For applying consideration of national or international standards (e.g. ADR and EEC), applicants should provide the relevant standards and the proof of the compliance of such standards.

3.7 the requirement of this part does not apply to any vehicle the construction or use of which is, in the Commissioner’s opinion, unnecessary or impracticable to provide a wheel guard.

4. Special Requirements

The Commissioner for Transport has specified that—

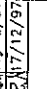
4.1 the wheel guards shall be so constructed that they meet the following requirements when a vehicle is in no load condition, with bodywork and in running order (including the loads of basic equipment such as coolant, oils, fuel, etc.). For a trailer, it shall be attached to the tractor unit. For vehicles fitted with demountable body systems, the body shall not be attached. In all cases, the wheels shall be in the straight ahead position. These requirements shall be read in conjunction with the attached drawings (No. SKP3179, SKP31792 and SKP31793) for the “Wheel Guards (Mudguards and Mudflaps) Specifications”.

4.2 the mudguard of the foremost wheels protected by bumper shall be in the part formed by radial planes to a point at an angle of 30 degrees to the front of the vertical centre line of the tyre, and shall be extended from the vertical centre line of the tyre to a point at the rear not more than 100 mm above the horizontal centre line of the tyre. The mudguard of the rest of the wheels on the same vehicle shall be in the part formed by radial planes to a point at an angle of 70 degrees (non-steerable wheels) or 60 degrees (steerable wheels) to the front of the vertical centre line of the tyre, and shall be extended from the vertical centre line of the tyre to a point at the rear not more than 100 mm above the horizontal centre line of the tyre.

- 4.3 the depth of the projection (valance) situated at the outer edge of the mudguard, measured in the vertical longitudinal plane passing through the centre of the tyre, shall be at least 30 mm. This depth may be reduced progressively to zero to a point at an angle of 70 degrees (non-steerable wheels) or 60 degrees (steerable wheels) to the front of the vertical centre line of the tyre. In case of multiple axles design, the relevant dimensions of the valance are shown in the attached drawings (No. SKP31792 and SKP31793). For a vehicle having a maximum gross vehicle weight equal to or less than 3 500 kg, the depth may be reduced progressively to zero to a point at an angle of 30 degrees to the front and 50 degrees to the rear of the vertical centre line of the tyre.
- 4.4 if "R" is the static radius of a tyre of a vehicle having a maximum gross vehicle weight exceeding 7 500 kg, the distance between the centre of the tyre and the lower edge of valance of the mudguard shall not be more than 1.25 times of "R" for non-steerable wheel(s) or 1.5 times of "R" for steerable wheel(s); if "R" is the static radius of a tyre of a vehicle having a maximum gross vehicle weight exceeding 3 500 kg but not exceeding 7 500 kg, the distance between the centre of the tyre and the lower edge of valance of the mudguard shall not be more than 1.5 times of "R" for all wheels; if "R" is the static radius of a tyre of a vehicle having a maximum gross vehicle weight equal to or less than 3 500 kg, the distance between the centre of the tyre and the lower edge of valance of the mudguard shall not be more than 2 times of "R" for all wheels.
- 4.5 the mudguard shall be extended the full width of the tyre but it must not be extended beyond to a maximum of 75 mm in the case of non-steerable wheel(s) and 100 mm in the case of steerable wheel(s) as shown in the drawings.
- 4.6 a mudflap is a containment device attached to the underside of the vehicle or to a mudguard to form an extension toward the road surface, behind the wheel(s). It should be fitted at the rearmost tyre in conjunction with the mudguard. The mudflap shall be at least the width of the tyre tread pattern.
- 4.7 the maximum clearance between the rearmost point of the tyre(s) to the innermost surface of a mudflap shall not be more than 300 mm.
- 4.8 The maximum height of the bottom edge of the mudflap shall not exceed a height of 230 mm.
- 4.9 mudflaps shall not be capable of being deflected rearward by more than 100 mm when subjected to a force of 3 N per 100 mm of the mudflap width, applied across the width by, for example, a load spreading bar, at a height of 50 mm above the bottom of the mudflap.
- 4.10 in the case of vehicles having adjustable suspension height, the above mentioned requirements shall be met when the vehicle is in its normal running position specified by the vehicle manufacturer.
- 4.11 the wheel guards may consist of several components, provided no gaps exist between or within the individual part when vehicle is in running order. The wheel guards shall be firmly attached to the vehicle.
- 4.12 in the case of multiple axles vehicle, if the distance between the tyres on two parallel axles is greater than 300 mm, the tyres shall be treated as separated for mudguarding purposes.

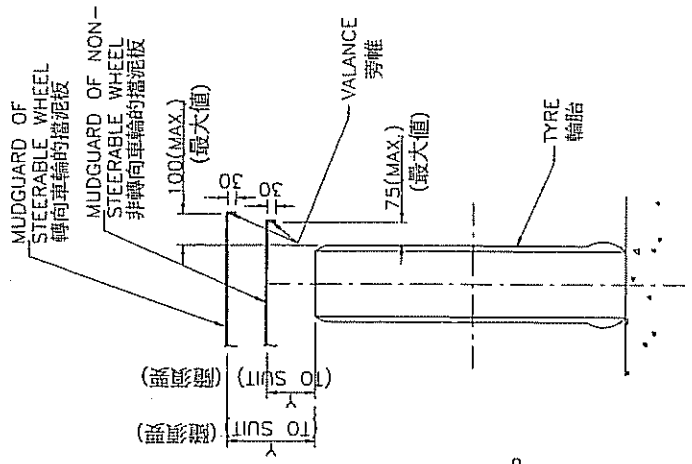
Fanny LAW FAN Chiu-fun *Commissioner for Transport*

NOTES:
 1. ALL DIMENSIONS IN mm.
 2. THIS DRAWING SHALL BE READ IN CONJUNCTION WITH WHEEL GUARDS SPECIFICATION.
 備註:
 1. 全部數值以毫米作單位。
 2. 閱讀這圖則時，須同時參閱車輪防護裝置的規格。

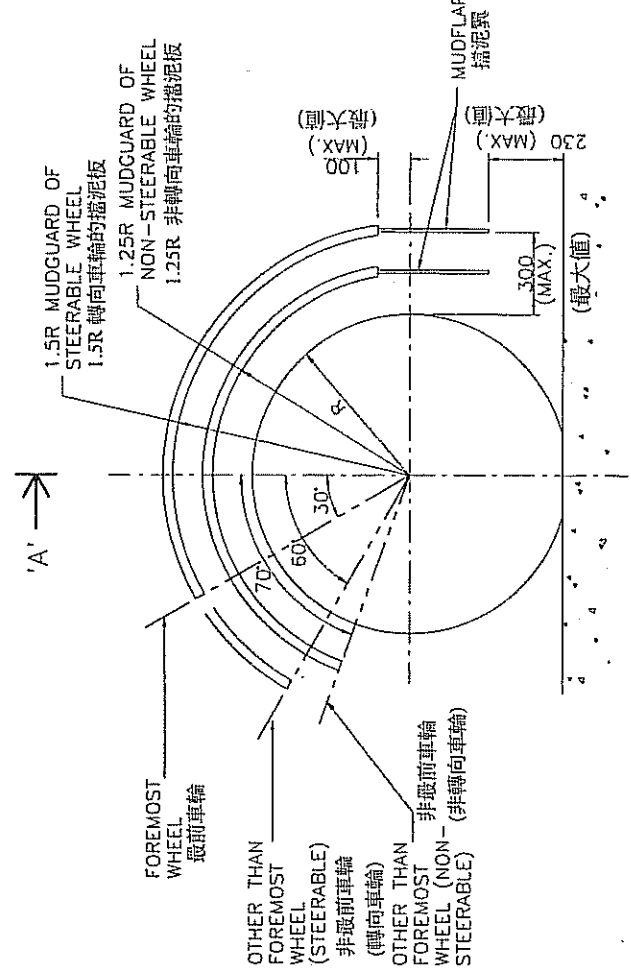
no.	date	description	initial
REVISION			
		name	date
designed	H.C. YUEN	28/11/97	
drawn	W.K. LAI	14/12/97	
checked	H.C. YUEN	28/12/97	
approved	 Y.W. CHU 車輪防護裝置		
contract no.	CEM/78/93		
file no.	CT50/131/46-1		
project no.			
圖則名稱	車輪防護裝置 (擋泥板及擋泥翼) 規格		
drawing title	WHEEL GUARD (MUDGUARDS & MUDFLAPS) SPECIFICATION		
drawing no.	rev.	scale	ratio
圖則編號		比例	1:1
SKP3179			

VEHICLE EXAMINATION DIVISION
 車輛檢驗部


TRANSPORT DEPARTMENT
 香港運輸署




SECTION 'A' - 'A'
 'A'- 'A' 切面



中文翻譯圖

PREPARED BY  H.C. YUEN

APPROVED BY  W.C. CHIU

SEM/11/93

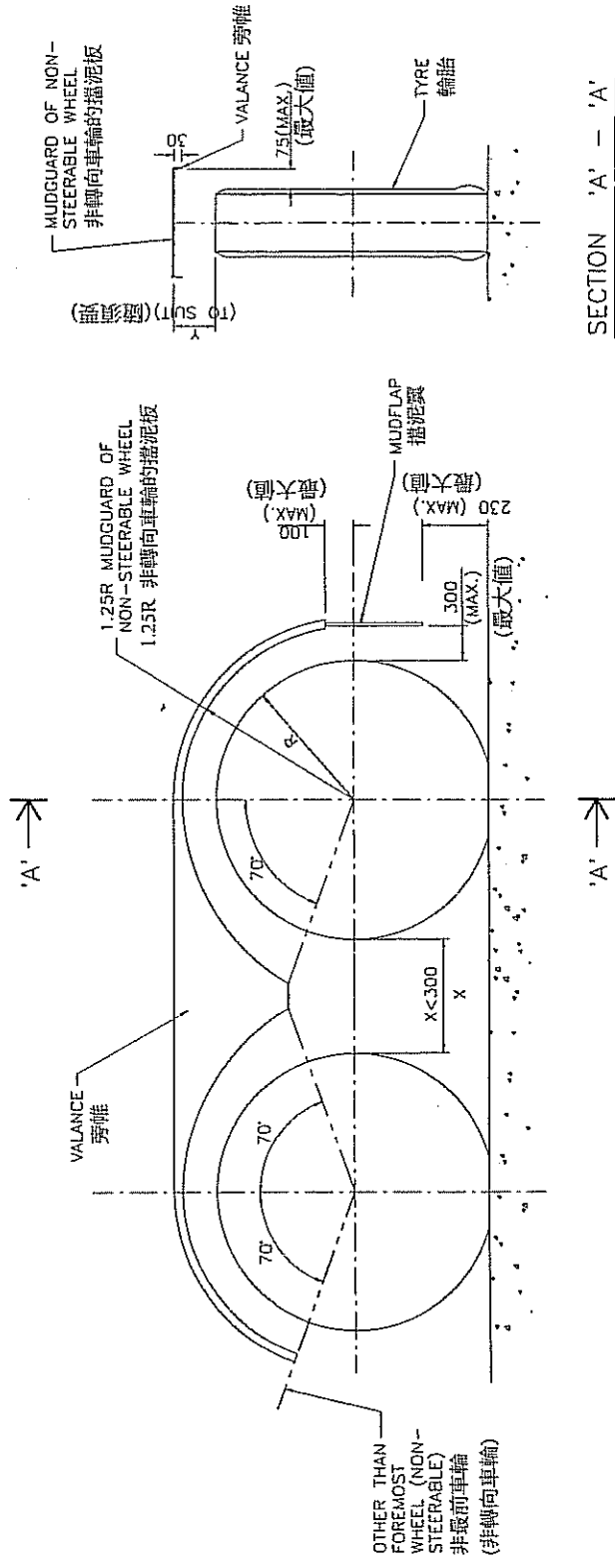
LEGEND:
 Y = DISTANCE BETWEEN TYRE AND MUDGUARD
 圖例:
 Y = 輪胎與擋泥板距離

NOTES:
 1. ALL DIMENSIONS IN mm.
 2. THIS DRAWING SHALL BE READ IN CONJUNCTION WITH WHEEL GUARDS SPECIFICATION.
 備註:
 1. 全部數值以毫米作單位。
 2. 閱讀這圖則時，須同時參閱車輪防護裝置的規格。

NO.	DATE	DESCRIPTION	INITIAL
REVISION			
DESIGNED	H.C. YUEN	DATE	APR 98
DRAWN	C. K. U	DATE	APR 98
CHECKED	H.C. YUEN	DATE	APR 98
APPROVED	<i>[Signature]</i>	DATE	
CONTRACT NO. SEM/AMV 1997 FILE NO. C150/131/46-1 PROJECT NO. 圖則名稱 多軸(非轉向軸)車輛的 擋泥板及旁帷規格 DRAWING TITLE MUDGUARDS & VALANCE SPECIFICATIONS FOR MULTI-AXLE (NON-STEERABLE) VEHICLE SCALE 比例 NTS DRAWING NO. SKP 31792 REV.			

VEHICLE EXAMINATION DIVISION
 車輛檢驗部

TRANSPORT DEPARTMENT
 運輸署
 HONG KONG



中文翻譯圖
 PREPARED BY *[Signature]* H.C. YUEN
 EMV
 APPROVED BY *[Signature]* X.W. CHIU
 SEM/AMV 19 MAY 1998

LEGEND:
 X = DISTANCE BETWEEN TYRES
 Y = DISTANCE BETWEEN TYRE AND MUDGUARD
 圖例:
 X = 兩輪胎間隙
 Y = 輪胎與擋泥板距離

NOTES:

- ALL DIMENSIONS IN mm.
- THIS DRAWING SHALL BE READ IN CONJUNCTION WITH WHEEL GUARDS SPECIFICATION.

備註:

- 全部數值以毫米作單位。
- 閱讀此圖則時，須同時參閱車輪擋泥板規格。

NO.	DATE	DESCRIPTION	INITIAL
REVISION			
1		Designed	H.C. YUEN
2		Drawn	C. K. LI
3		Checked	H.C. YUEN
4		Approved	<i>[Signature]</i>

DATE	DATE
APR 98	APR 98
APR 98	APR 98

contract no. *[Blank]*
 file no. C150/131/96-1
 project no. *[Blank]*

圖則名稱
 多軸(可轉向軸)車輛的
 擋泥板及旁椎規格

drawing title
 MUDGUARDS & VALANCE
 SPECIFICATIONS FOR MULTI-AXLE
 (STEERABLE) VEHICLE

drawing no.	rev.	scale
圖則編號		比例
SKP 31793		NTS

SECTION 'A' - 'A'
 'A'-'A' 切面

LEGEND:

X = DISTANCE BETWEEN TYRES
 Y = DISTANCE BETWEEN TYRE AND MUDGUARD

圖例:

X = 兩輪胎間距
 Y = 輪胎與擋泥板距離

中文翻譯圖

PREPARED BY *[Signature]* H.C. YUEN
 EMV

APPROVED BY *[Signature]* Y.W. CHIU
 SEM/INY 11 MAY 1996

VEHICLE EXAMINATION DIVISION
 車輛檢驗部

TRANSPORT DEPARTMENT
 HONG KONG